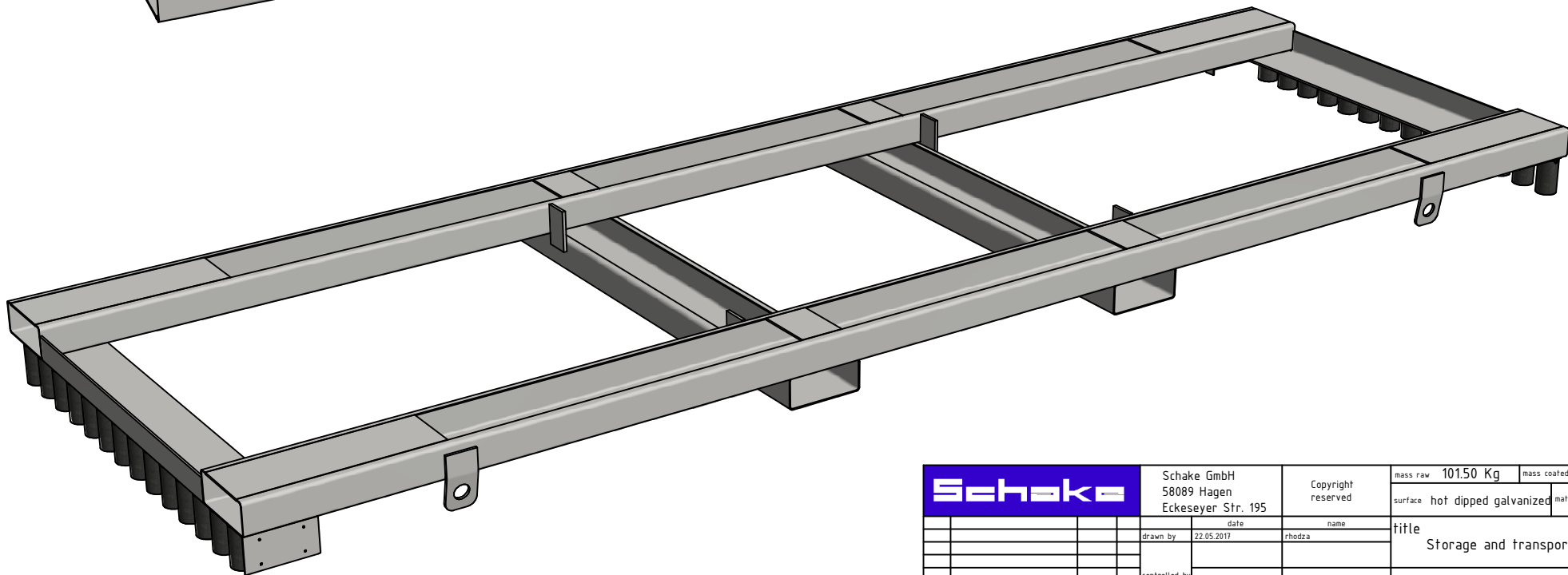
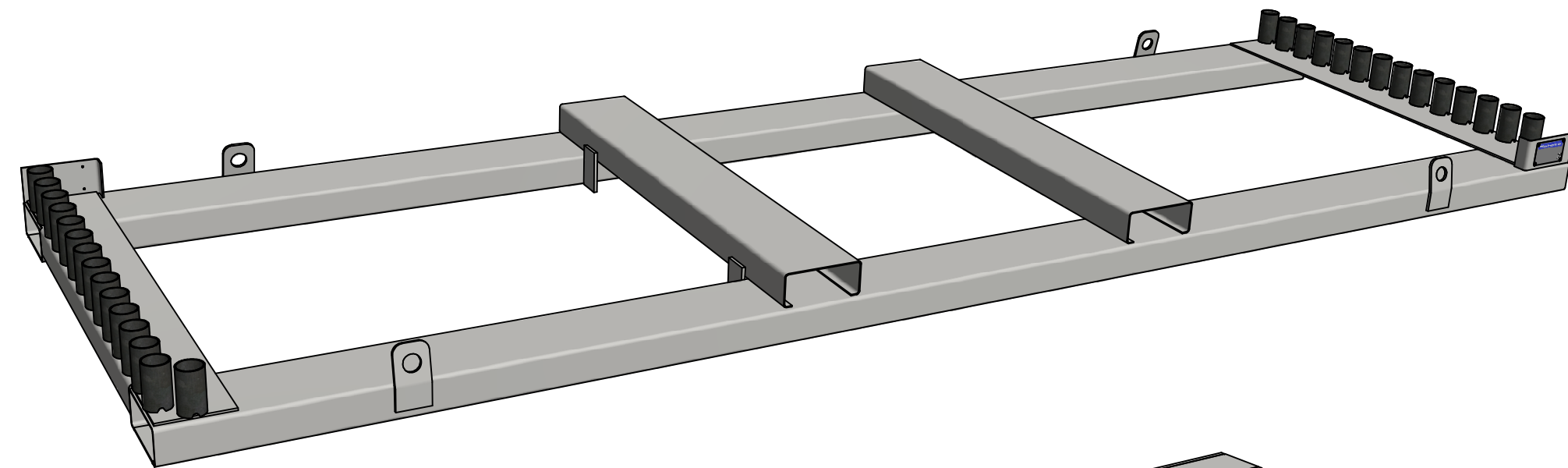


Schake		Schake GmbH 58089 Hagen Eckeseyer Str. 195		Copyright reserved	mass raw 101.50 Kg	mass coated 108.10 Kg
		drawn by	date	name	surface hot dipped galvanized	material
		22.05.2017			title	
					Storage and transport tie-bars	
					no. of drawing	
					3B211_KdZn	
					1	
status	modification	date	name	produced on DIN EN ISO 13920-A		elbow projection



Schake		Schake GmbH 58089 Hagen Eckeseyer Str. 195		Copyright reserved	mass raw 101.50 Kg	mass coated 108.10 Kg
				drawn by	rhodza	title
				date	22.05.2017	Storage and transport tie-bars
				controlled by		no. of drawing
				product management		3B211_KdZn
				status	modification	date
				name		2
				produced on DIN EN ISO 13920-A		elbow projection