

Schake

Schake GmbH
58089 Hagen
Eckeseyer Str. 195

Copyright reserved

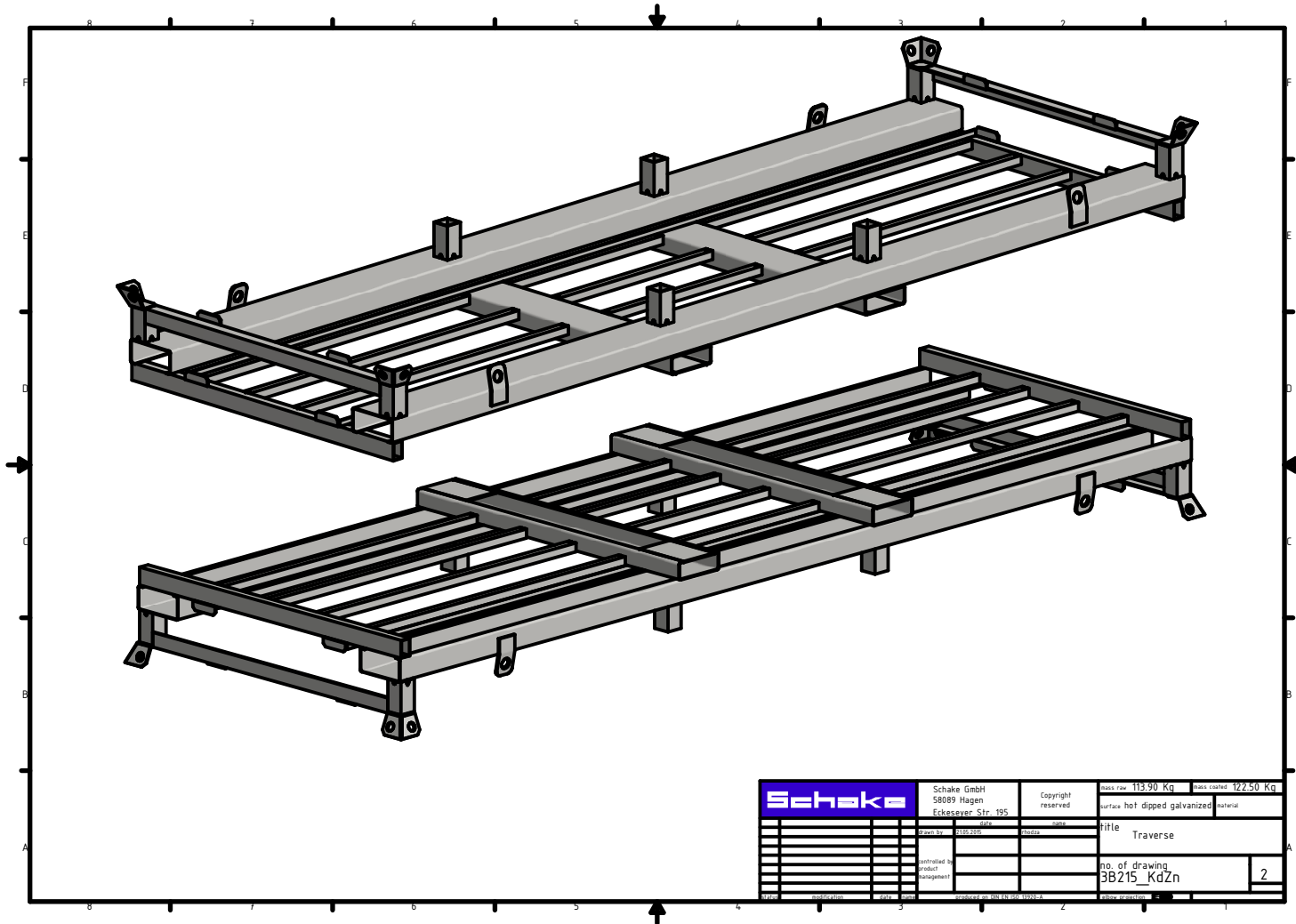
max. load 113,90 Kg
max. weight 122,50 Kg

surface hot dipped galvanized

title Traverse

no. of drawing BB215_KdZn

1



Schake		Schake GmbH 58089 Hagen Eckesever Str. 195	Copyright reserved	max. load 113,90 Kg	max. weight 122,50 Kg
				surface hot dipped galvanized	various
				title	Traverse
				no. of drawing	BB215_KdZn
					2