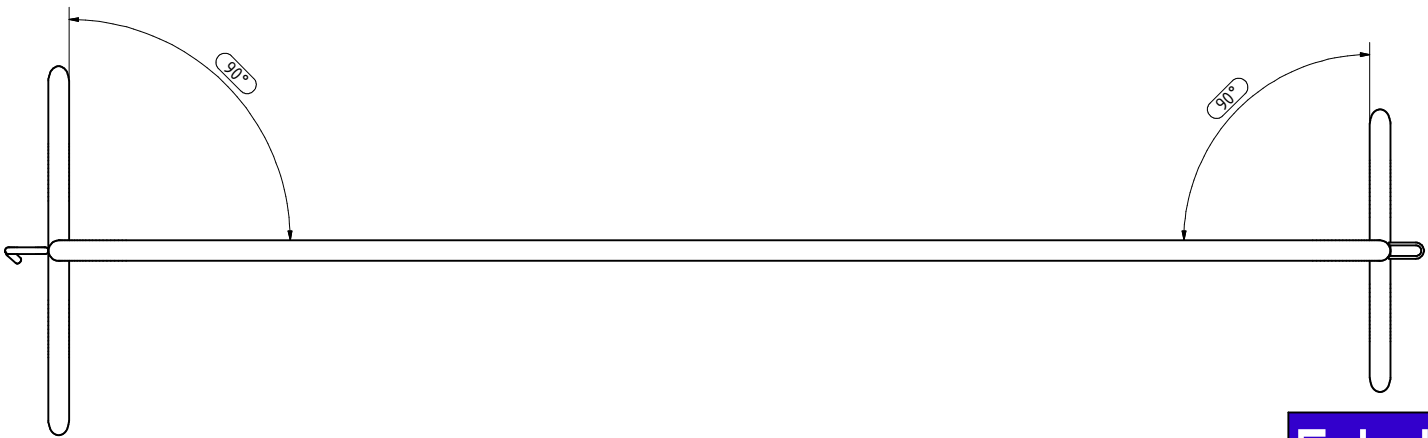
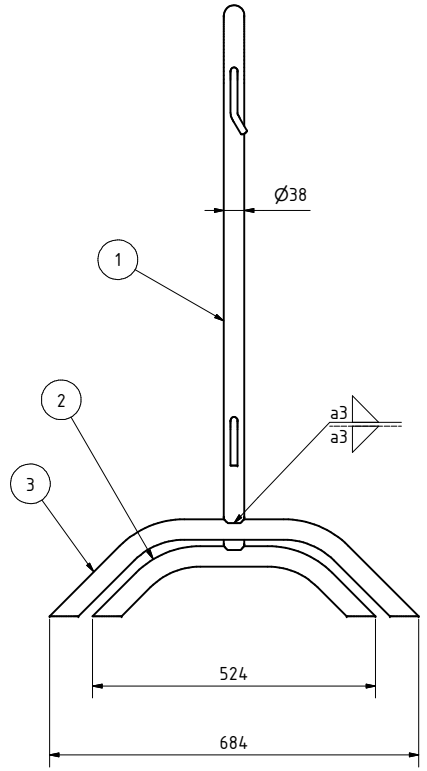


holms  $\varnothing 16 \times 1.5 \text{mm}$



<b>Schake</b>	Schake GmbH 58089 Hagen Eckeseyer Str. 195	Copyright reserved	produced on DIN ISO 2768-1 v	mass 19.08 Kg
			surface hot dipped galvanized	material
		date 15.04.2013	name rhodza	title Barrier 2.5m
		drawn by	checked	
003	holm. 2051896 remove	21.09.17	rh	no. of drawing 419_00S
002	measure added	16.04.13	rh	
001	qcp added	15.04.13	rh	1
	modification			
	status	date	name	A2

object	quantity	no. of part	list	description
1	1	206151		frame for Barrier 419_00S
2	1	205389		foot small d=38x1.5mm
3	1	205390		foot big d=38x1.5mm

quality control plan: QP170\_001